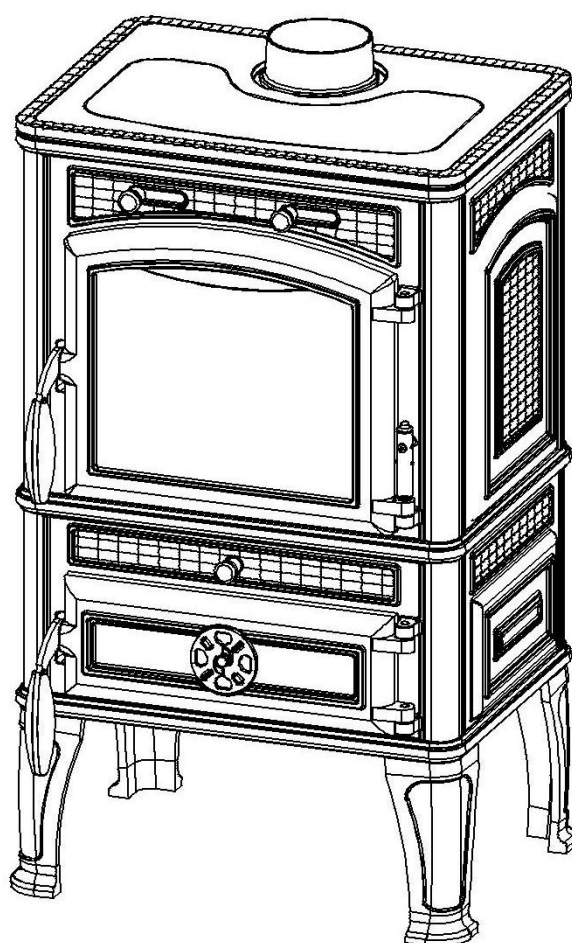




Model: LAVA

USER MANUAL



IKL-INDUSTRIJSKI KOMBINAT LIVNICA DOO GUČA
Srbija, 32230 Guča, Albanske spomenice bb
Tel/centrala: +381(0)32 306 000 ,
prodaja i servis; +381(0)32 854 305

Dear customer,
First of all we would like to thank you for having chosen us and your trust in us will not be failed. You will be satisfied with your choice, as our stove is in the leading category of the similar products due to its features and design.

Yours sincerely,
GUČA

CONTENTS:

1. Introduction
 2. Technical characteristics
 3. Working principle of the stove
 4. The flue
 5. Wood
 6. Cleaning of the stove
 7. Consumables
 8. Summer pause and recommendations for the season
 9. Solutions of the problems
 10. Technical description
 11. Installation
 12. Fire safety
 13. Air entrance into the installation place during combustion
 14. Allowed/forbidden fuel
 15. Lighting
 16. Normal operation
 17. Operation in transition periods
 18. Cleaning
 19. Environment protection advices
-

1. INTRODUCTION

Read the instructions carefully and follow the rules and recommendations. Hereinafter you will find the data regarding the stove itself, as well as the recommendations for the installation and maintenance of the stove.

The efficiency of a stove depends on its correct installation, which must be carried out by a professional following the highest standards and the safety regulations in force.

The place you intend to install the stove must have sufficient airspace and the floor and surrounding object must be made of a non-flammable material.

Pay attention to the bearing capacity of the floor. In case that the floor cannot endure the weight of the stove, it is necessary to reinforce it or set additional girders respecting advices of experts. Moreover, if there is a flammable floor, it must be protected by an insulating plate (steel, brass, marble, stone, etc.), which extends at least 50 cm from the front and at least 15 cm from the sides.

Do not place armchairs, seats, curtains or any other flammable objects unmentioned here within 100 cm from the stove, as well as within 70 cm on the sides, and 40 cm from the back side.

The cast iron parts are protected by heat resistant paint and during the first few exploitations smoke and smells which are products of paint stabilization occur. The room has to be properly ventilated.

The stove is to work with the doors closed.

Open the door only in the case of fuel addition. Open the door slowly in order to equalize the pressure. Abrupt door opening can cause smoke suppression.

Add fuel only when ember is created.

The stove is heated during operation, so take the necessary measures of precaution. The door handle is heated during operation so use a glove when opening the door. Do not touch hot parts of the stove.

We recommend installing smoke pipes with installed smoke gasses regulator for obtaining optimal results.

Children should not be allowed to play near the stove or handle it.

Provide continuous flow of combustion air.

It is forbidden to place explosive devices and matters into the hearth and on parts of the stove.

Parts of packing should be properly disposed. Elements from cardboard, wood or plastic which are entered into the furnace space should be taken out before putting the stove into operation. Be careful when taking out the packaging because wooden bars are connected with rails.

IN CASE OF NON-OBSERVANCE OF THE INDICATIONS ABOVE-QUOTED, THE MANUFACTURER DISCLAIMS ALL RESPONSIBILITIES FOR POSSIBLE DAMAGE.

2. TECHNICAL FEATURES

Definition: solid fuel-burning stove tested according to: **EN 13240**

Constructive System	*
Rating power in kW	12.5
Efficiency in %	78.1
Pipe diameter in mm	120
Maximum quantity of fuel-wood in kg	3.3
Mean content of CO to 13% O ₂ in %	0.0977
Temperature of exhaust gasses in C° - wood	283.3
Size of hearth opening in mm (W x H)	340x286
Hearth body size (W x H x P)	450x230 x 334
Stove height in mm	946
Stove width in mm	540
Stove depth (with handles) in mm	493
Weight in kg	155
Outer smoke output in mm	900

Accessory: glove

* Hearth door is closed automatically (there is the system for automatic door closing with a spring)

* Hearth door is closed automatically

* Hearth door is not closed automatically

3. WORKING PRINCIPLE OF THE STOVE

3.1 Description of the stove

The stove is designed to be used for indoor heating. The heat is diffused by radiation through the panoramic glass and the parts of the stove made of cast iron.

Parts of the stove are made of cast iron, and the hearth is equipped with a panoramic door with heat resistant glass.

The stove has the primary and secondary air control by which the combustion air is adjusted. The primary air control must be completely opened during the lightning phase (15 – 20 minutes). During wood combustion, the primary air control is closed, otherwise the wood burns fast. The secondary air control enables the glass to stay clean during wood combustion and provides additional combustion.

3.2 Installation

The installation of the stove must be carried out by qualified people who are aware of the safety measures regarding the stove installation. A badly installed stove can cause serious accidents (chimney fires, burning of insulating materials, etc).

3.3 Lighting the stove for the first time

The first time the stove is lit, there will be smoke and odor given off due to the drying of the protective color. That is normal, because the color stabilizes on temperatures over 350°C.

THE ROOM MUST BE PROPERLY VENTILATED.

Before the lighting, all parts should be cleaned with a dry cloth to remove dust and impurities.
- Upon the first ignition of the stove, we suggest loading recommended quantity of fuel reduced to half in order to test the stove.

3.4 Ventilation of the room

Good ventilation is essential in order to provide proper operation without any risk to people who use the room where the stove is installed, because during the combustion the stove uses the oxygen from the air. It is necessary that the room has adjustable air openings.

ATTENTION

In case of non-observance of the indications, the manufacturer disclaims all responsibilities.

Modifications on the stove are not allowed.

4. THE FLUE

Special attention must be paid to the quality of the flue which must be made in accordance with the standards. The flue must be regularly maintained. The stove is connected to the flue through a connection on the upper or back side of the stove, by the appropriate smoke pipes. The smoke pipe must not be positioned too deep in the flue so as not to decrease the surface of the cross-section and, in that manner, disturb the draught in the flue.

The draught in the flue

An inadequate draught is exclusively the main reason behind most complaints of poor stove operation! Necessary draught for this type of stove is 12 Pa.

A lower value does not permit proper combustion with the consequent formation of carbon deposits and excessive production of smoke, which, being unable to flow to the exterior will escape through the grills or door.

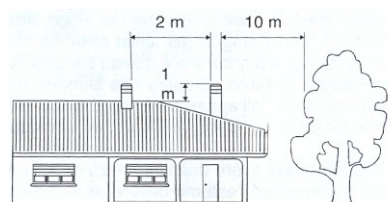
If the draught value is too high, combustion will be too fast, with the consequent dispersion of the heat through the flue. If the draught is greater than 15Pa, the elements for draught reduction should be installed.

The signs of a bad draught are:

- dirty glass, boiling handle
- smoke coming out into the room

4.1 General characteristics

To facilitate the draught in the flue, the chimney must be rising at least one metre above the ridge of the roof. The surrounding objects must not cover the flue.



The dimensions of the chimney may vary on the basis of the model of flue. However, to guarantee good disposal of the fumes, the section of the air passage at its exit must always be twice the size of the section of the flue itself, and furthermore the cap of the chimney must never obstruct the draught.

The chimney guarantees the conveyance of the fumes outwards even when there are strong horizontal winds and stops them from being blown back down the chimney.

Bad maintenance of chimney is the cause of flue obstruction, due to the breaking and detachment of plaster, refractory bricks etc. of which the flue is made, as well as due to the combustion product deposits and intrusion of foreign objects.

Chimney must have sufficient heat insulation, otherwise it can lead to condensation.

The internal parts of the whole flue should have a smooth surface, and the material used should be refractory and resistant to their degree of acidity, and should be impermeable to gases.

4.2 Chimney recommendations

The internal part of the whole flue should have a smooth surface, and the material used should be resistant to heat and impermeable to gases.

Height of the flue	Round section	Square section
5 m	cm. 20/22	cm. 20 x 20
10 m	cm. 18/20	cm. 18 x 18
15 m	cm. 15/16	cm. 16 x 16

4.3 Connection of the stove to the flue

The metal tube connecting the stove to the flue must never have a smaller diameter than the outlet hole of the appliance.

Try to avoid too many curves and horizontal sections; if this is impossible, ensure that there is always a slope of at least 2/3 cm per linear metre as compensation.

The same flue must never be used for more than one appliance.

Do not decrease the flue section by positioning the pipe connecting the stove and the flue too deep in the flue.

4.4 Cleaning the tubes and flue

Every time you notice the draught is becoming difficult, you should clean the stove, the tubes, and the flue.

The removal of soot and carbon residues must be carried out to the highest standards using appropriate means. Cleaning should be performed when the stove is cold.

The junction pipe for the connection to the chimney must be shortest possible and the junction points of the single pipes must be hermetic. The connection to the chimney must be performed with stable and strong pipes. The pipe for smokes exhaust must be fixed hermetically to the chimney.

ATTENTION: Possible flammable pieces in the area of 20 cm round the connection pipes must be changed with fireproof and not sensitive to heat materials.

For a good operation of the equipment it is essential that in the installation place, there is sufficient air for combustion. This means that through suitable openings, air must circulate for the combustion, even with doors and windows closed.

The draught in the chimney should be 12 Pa – The measurement must be done always with the stove being hot. When the draught exceeds 15 Pa it is necessary to reduce the same with the installation of an additional flue adjuster (butterfly valve) on the exhaust pipe or in the chimney.

5. WOOD

Only burn dry wood! You must not only select quality wood but it must also be dry at the moment in which you use it.

Remember that the calorific power of the wood drops considerably as the presence of humidity means that a large part of the heat produced is used to evaporate the water and,

furthermore, the risks of obstruction increase rapidly with the condensation of the vapors in the flue.

Recommended humidity of wood is up to 20%.

5.1 DRYING

Damp wood not only burns badly but also makes the lighting of the fire difficult and damages the flue. The water vapor transports condensible products such as acetic acid, alcohol, methyl alcohol and tars which contribute to the formation of incrustations which are detrimental for the efficiency of your stove.

Fresh cut wood is useless as a fuel. Actually a considerable part of the energy produced is only used to evaporate the water, which is up to 75% in young wood without bark.

To obtain dry wood (15%-20% humidity) you must cut the weak wood (in winter) to the desired length and cut it again in pieces with a maximum diameter of 8-15 cm. You must then put them in a ventilated shelter for at least 2 years (4 for oak, the first with exposure to the rain to eliminate the tannin).

You must stack the wood without compressing it to allow the passage of air, which, when circulating between pieces of wood, releases the humidity and aids drying.

5.2 HOW TO SELECT THE RIGHT WOOD

To obtain combustion and optimum efficiency from your stove, you must use firewood on the basis of the following list.

TYPE OF WOOD	QUALITY
HORNBEAM	EXCELLENT
OAK	EXCELLENT
ASH	VERY GOOD
MAPLE	VERY GOOD
BIRCH	GOOD
ELM	GOOD
BEECH	GOOD
WILLOW	BARELY SUFFICIENT
FIR	BARELY SUFFICIENT
ALDER-SCOTCH PINE	POOR
LARCH	POOR
IME	VERY BAD
POPLAR	VERY BAD

YOU SHOULD ABSOLUTELY NEVER USE:

Green or damp wood, treated wood (railway sleepers, plywood off-cuts, painted wood, etc.), low-grade anthracite and coke.

THE USE OF THE ABOVE LISTED MATERIALS AND DAMAGES CAUSED BY THEM ANNUL ANY FORM OF GUARANTEE AND THE MANUFACTURER DECLINES ALL RESPONSIBILITY.

6. CLEANING THE STOVE

We recommend removing the ash produced every day. Never allow the ash to accumulate to the point where it touches the grate; this would obstruct the circulation of primary air and slowly suffocate the fire.

When cleaning the outside surfaces of the stove, avoid abrasive products which would damage the protective paint. Do not use chemicals that contain diluent, because the cast parts are protected by heat resistant paint.

Panoramic door glass should be cleaned with normal detergent and exclusively after getting cold. After cleaning, rinse with pure water and dry. To clean the parts in tiles use non-abrasive detergents, water and a soft cloth which do not damage the glaze.

7. CONSUMABLES

The following are considered consumables and therefore not covered by the warranty: all gaskets, the parts in ceramic hardened glass, the facing of the hearth, the paints, the ceramics and the parts with chemical coating (chrome, nickel, zinc parts). The warranty does not cover damages caused by improper installation, incorrect connection not in compliance with the instructions which accompany the product, or breakdowns caused by tempering from unqualified or unauthorized personnel.

8. SUMMER PAUSE AND RECCOMENDATIONS FOR THE SEASON

After you have cleaned the hearth, the chimney and flue, trying to eliminate completely the ash and other residuals, you must close the hearth door and its regulators; in case that you are disconnecting the device from the flue, you must close its openings in order to enable operation of other devices connected to the same flue.

The cleaning of the flue should be done at least once a year. Check the state of gaskets and replace them if necessary.

If there is dampness in the room where the stove has been placed, we advise you to put absorbent salts into the hearth. If you want to keep for long the aesthetic look of the stove it is important to protect its internal walls in cast iron with neutral Vaseline.

9. SOLUTIONS OF THE PROBLEMS

9.1 The appliance does not work

- Check that the entrance of the chimney has been carried out perfectly.
- Check whether the dimensions of the chimney are correct and appropriate to the appliance.
- Check whether the flue is well isolated from thermo agents and made according to the standards.
- The doors of the stove must be well sealed.

9.2 Difficulty in lighting the fire

- Open the primary air and the smoke register.
- Use very dry wood.
- Air the room in order to have a great quantity of oxygen.
- The flue must be appropriated to the appliance used.

9.3 Smoke comes out

- Check if the primary air register is opened.
- Check if the entrance of the chimney presents leaks.
- Check if the ash or other residuals have obstructed the draining pipe.
 - Insufficient draught.
 - Check the draught in the flue.
 - Check the gaskets.

9.4 The glass gets dirty in a short time

- Damp wood: use dry wood ([max.20% moisture](#))
- Wrong fuels (see materials allowed)
- Too much fuel in the hearth space
- Draught insufficient (see connection to the flue)
- Wrong regulation: if the secondary air register is closed, the glass gets dirty in a short time.

9.5 Condensation

- During the initial lightings the condensation is normal, because the built-in materials contain dampness.
- If the problem goes on, check the wood you use; it must not be damp or badly dried.
- The chimney must not have defects and it must not cool down too quickly the draining gas.

Attention: The manufacturer exclusively uses materials which DO NOT represent health hazards. The manufacturer reserves the right to make modifications to the appearance, to the dimensions or to the models themselves without previous notice.

10. TECHNICAL DESCRIPTION

10.1 Description

The stove is suitable to heat living spaces or to support an insufficient centralized heating system. As fuel, it is possible to use wood logs. The stove is made of cast iron and steel plates. The hearth is internally sheathed with single sheet in cast iron and inside it there is a rotatable and extractable grate. The hearth is equipped with a panoramic door with glass (resistant up 700 °C). This allows a wonderful view on the burning flames and maximum heat distribution.

The heating of the environment is achieved:

Through the panoramic glass and the external surfaces of the stove, the heat is radiated into the environment.

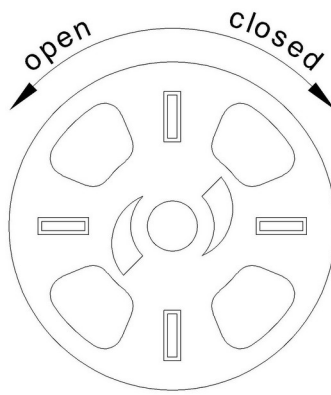
The chimney stove is equipped with registers of primary and secondary air by which the combustion air is adjusted.

The stove can be attached from the back or through the heating plate.

10.2 PRIMARY air control

With the regulator on the stove door, the passage of air through the ash drawer and the grate in the fuel direction is adjusted. The primary air is necessary for the combustion process. The ash drawer must be regularly emptied, so that the ash does not obstruct the primary air entry. Through the primary air fire is also kept alive.

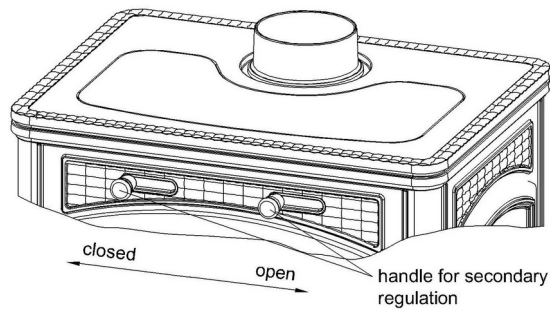
During wood combustion, the register of primary air must be opened only if necessary (lighting, increasing the burning intensity), because otherwise the wood burns fast and the stove may overheat. The regulator operation is shown in the picture.



10.3 SECONDARY air control

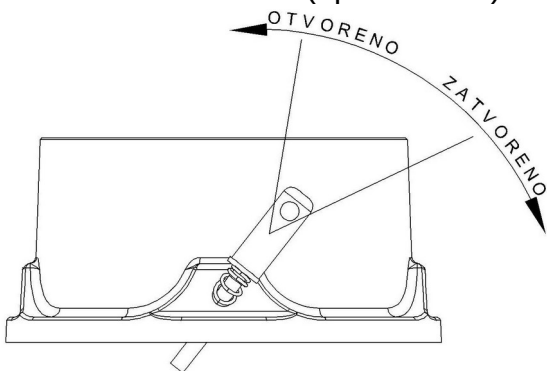
Over the door of the hearth there is the secondary air control, which, moved in horizontal direction, regulates secondary air. When the valve is open (the handle moved to the right) it enables a better wood combustion. Through this regulator, it is possible to adjust the desired combustion course of the stove.

Leaving the regulator slightly open during the stove operation keeps the glass clean.



10.4 SWITCH for regulation of exhaust gases

The models supplied with this device have the option of regulating the smoke output according to the enclosed scheme (open-closed).



OTVORENO - OPEN

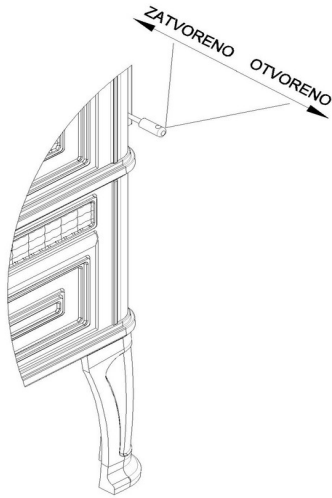
ZATVORENO - CLOSED

10.5 TERCIAL air control

Maximum results are achieved by introducing air from the rear. With the recommended fuel, we recommend a maximum open regulator.

In case you want to keep the grill apart from other regulators, this should be closed.

The maximum effect is achieved when the furnace is heated, and then a flame appears on the back of the firebox through the holes.



11. INSTALLATION

The stove must be connected with a junction to the adequate flue. The junction must be, if possible, short, straight, or positioned a little uphill. The connections must be tight. **It is obligatory to respect the National and European rules, local regulations concerning building matter and also fire protection rules. Please apply to your chimney sweeper for all information.**

You should provide sufficient air entrance for the combustion in the installation place. The diameter of the opening for the connection must correspond at least to the diameter of the smokes pipe (Ø120 mm). The opening must be equipped with a wall connection for the reception of the exhaust pipe.

Before installation, verify if your floor can support the weight of the stove, and in case that the bearing capacity of the floor is insufficient perform measures for increasing the capacity.

The manufacturer is not responsible in case of modification of the product and for the use of not original spare parts.

12. FIRE SAFETY

In the installation of the stove the following safety measures are to be followed:

- a) In order to ensure sufficient thermal insulation, respect the minimum safety distance from objects or furnishing components flammable and sensitive to heat (furniture, wooden objects, fabrics etc.) and from materials with flammable structure. **All the minimum safety distances are shown on the product data plate and lower values must NOT be used.**
- b) In front of the chimney stove there must not be any flammable object or building material, sensitive to heat, at less than **100 cm distance**. If the stove is installed on a foundation made of flammable materials, the foundation must be covered with fireproof plates.
- c) If the product is installed on a floor which is not completely fire resistant, one must foresee a fireproof background, for example a steel platform dimensions according to the local regulations. The platform must stick out **30 cm** sideways and **50 cm** on the front side over the loading door.
- d) No flammable components must be present above the product.

The chimney stove must operate exclusively with the ash drawer inserted. The solid residue of the

combustion (ashes) must be collected in a hermetic container, resistant to fire. The stove must never be ignited when there is gas or steam emissions (e.g. glue for linoleum, gasoline, etc.). Never deposit flammable materials near the stove. During the combustion there will be a spread of thermal energy which warms up the surfaces, the door, the fireplace glass, the handles and knobs, the smoke pipe and the front side of the stove. Please avoid the contact of these parts without gloves or the relevant tools.

Warn children of the danger and keep them away during the operation of the stove. The use of a wrong or wet fuel causes the formation of creosote deposits in the flue and will fuel a chimney fire.

FIRST-AID MEASURES

Should any fire arise in the stack or in the flue:

- a) Close the feeding door and the ash drawer door;**
- b) Close the controls of combustion air;**
- c) Extinguish the fire using carbon dioxide fire-fighting means (CO₂ dust);**
- d) Seek immediate intervention of FIRE BRIGADE.**

DO NOT EXTINGUISH FIRE USING WATER JETS.

When the fire has been extinguished, let the flue be checked by an expert to find possible cracks and permeable points.

13. AIR ENTRANCE INTO THE INSTALLATION PLACE DURING COMBUSTION

As the stoves take their combustion air from the installation place, it is essential that a sufficient quantity of air is introduced in the installation room itself.

In case of hermetic doors and windows (for example houses built according to the energy saving criteria) it is possible that the air entrance is not guaranteed, compromising the draught, the welfare and the security of the people. It is necessary to guarantee a further air entrance through an external air intake which is to be positioned nearby appliance or through air connection towards outside or near the ventilated room.

The entrance of air for combustion into the installation place must not be closed during the operation of the stove. It is absolutely necessary that in the environment in which the stove operates there is sufficient air for combustion, i.e. up to 20 m³/h.

An extraction hood (aspirator) installed in the same room or in a room nearby, causes depression with output of combusted gases (smoke, smell). As consequence it is necessary to ensure more flow of fresh air.

The depression in an extraction hood can inhale smoke which can have detrimental consequences to people.

14. ALLOWED/FORBIDDEN FUEL

The allowed fuel is made of wood logs and dark coal. One must use only logs of dry wood (water content max. 20 %). One must load at maximum 2 or 3 logs of wood simultaneously. The wood pieces should have a length of 30-40 cm and a maximum circumference of 30-35 cm.

The wet wood makes ignition more difficult because it requires a greater quantity of energy to evaporate the existing water. The humid content has the disadvantage that, with the temperature lowering, the water condensates first in the hearth and then in the chimney.

Among the others, the following cannot be burnt: remainders of coal, scraps of bark and panels, humid wood or treated with varnishes, plastic materials, materials of organic origin; in this case the warranty on the equipment expires.

Variety	Kg/m ³	Kwh/Kg moistness 20%
Beech	750	4,0
Oak	900	4,2
Elm	640	4,1
Poplar	470	4,1
Larch*	660	4,4
Spruce*	450	4,5
Scots pine *	550	4,4

* wood not suitable for burning

Paper and carton must be used only for ignition.

The combustion of wastes is FORBIDDEN and it may damage the stove and the chimney, causing health damages and spread of bad smell.

The wood is not a fuel which allows a continuous operation of the appliance, as a consequence the heating all over the night is not possible.

ATTENTION: the continuous and protracted use of aromatic wood (eucalyptus, myrtle etc.) quickly damages the cast iron parts of the product.

±

15. LIGHTING

IMPORTANT: The first time that the appliance is lit, there will be an odor given off which disappears after a short use. It must be ensured that, in any case, a good ventilation of the environment exists. Upon the first ignition we suggest loading a reduced quantity of fuel and gradually increasing the calorific value of the equipment. The odors and smoke are regular occurrences which originate from the stabilization of paint with which the parts have been protected, that is why it is necessary that the room is ventilated.

Therefore, it is extremely relevant to take these easy steps during the lighting:

1. Make sure that a sufficient air change is assured in the room where the appliance is installed.
2. During the first starts, do not load excessively the combustion chamber (about half the quantity indicated in the instructions manual) and keep the fire continuously ON for at least 6-10 hours with the regulators less open than the value indicated in the instructions manual.
3. Repeat this operation for at least 4-5 or more times, according to your possibilities.
4. Then load more and more fuel (following in any case the provisions contained in the installation booklet concerning maximum load) and keep the fire on for a longer time period.

5. During the first starts, no object should be leaned on the appliance or touch enameled surfaces.

6. Once the «break-in» has been completed, it is possible to use the product as per instruction and avoid abrupt heating with excessive loads.

To light the fire, it is suggested using small wood pieces together with paper or other traded lighting means.

It is FORBIDDEN to use any liquid substance as for ex. alcohol, gasoline, oil and similar.

Operation with wood:

Open the primary and secondary air control and lit the fire.

After establishing stable operation regime (10 to 15 min), close the primary regulator and adjust the desired operation regime.

The openings for air (primary and secondary) must be opened together just until the stable operation regime of the furnace is achieved. Never overload the stove.

Too much fuel and too much air for the combustion may cause overheating and then damage the stove.

16. REGULAR EXPLOITATION

IMPORTANT: due to the fact the door of the hearth has a remarkable size, we suggest you to open the door very slowly, to avoid the exit of smokes and flames.

For safety reasons the door of the hearth can be opened during the stove operation only for the loading of the fuel. The hearth door must always remain closed during operation.

Before opening the hearth door, open the primary air regulator, open the door slowly, load the fuel, close the door and after about 5 or 10 minutes close the primary air control.

Heat emission is adjusted via regulators located on the front side.

They must be opened according to the calorific need. The best combustion is reached when most of the air for the combustion passes through the regulator of secondary air.

Never overload the stove (compare the technical table - max. quantity of loadable fuel).

The warranty does not cover the damages due to overheating of the equipment.

You should always use the stove with the door closed in order to avoid damages due to overheating.

The adjustment of the regulators is as follows:

Fuel	Secondary air (A1)	Primary air (B1)
Wood	Open	Closed
Mass of fuel hourly	3,2-3,3 kg/h	3,2 -3,3kg/h

Besides the adjustment of air for the combustion, the intensity of combustion and then the calorific value of your stove depend from the chimney. A good flue of requires a more reduced adjustment of

air for the combustion.

To verify the good combustion of the stove, check if the smoke coming out from the chimney and if the smoke is gray or black, it means that the combustion is not complete (a greater quantity of secondary air is necessary).

17. OPERATION IN TRANSITION PERIODS

During transition periods when the external temperatures are higher, or if there is a sudden increase of temperature it can happen that the combustion gases inside the flue cannot be completely sucked out.

The exhaust gases do not come out completely (intense smell of gas). In this case, shake the grating more frequently and increase the air for the combustion. Then, load a reduced quantity of fuel in order to permit a rapid burning and the stabilization of the draft.

Then, check whether all openings for the cleaning and the connections to the stack are air-tight. In case of doubt, do not operate the stove.

18. CLEANING

Let the installation of your stove, the connection to chimney and the ventilation be checked by your chimney sweeper. For the cleaning of enameled surfaces use soap water or non-aggressive and materials who are not chemically abrasive. Clean the glass with a detergent and water, and the glass has to be dry prior using the stove. Do not use abrasive matters that can damage the glass surface.

IMPORTANT: It is possible to use exclusively spare parts clearly authorized and offered by the manufacturer. In case of need please apply to your dealer!

THE APPLIANCE CAN NOT BE MODIFIED WITHOUT PRODUCER'S CONSENT! Clean the stove, pipes, and the flue regularly.

18.1 CLEANING OF THE FLUE

A correct lighting, the burning of a proper fuel, the loading of the suggested quantity of fuel, the right adjustments of the secondary air control, the sufficient draught of the chimney and the presence of air for the combustion, are essential for the good operation of the appliance.

The appliance must be completely cleaned at least once a year or every time it is needed (in case of bad working and low yield). The cleaning must be carried out exclusively when the stove is cold.

This operation should be carried out by a chimney sweeper who can simultaneously perform an audit of the flue (checking possible deposits). During the cleaning, it is necessary to remove from the appliance the ash drawer and the smokes pipes.

18.2 CLEANING OF THE GLASS

Thanks to a specific entry of the secondary air, the building of deposit on the glass of the door is slowed down in a remarkable way. However, the building of the deposits cannot be avoided with the use of solid fuels such as wet wood, and this is not to be considered a defect of the appliance.

IMPORTANT:

The cleaning of the sight glass must be carried out only and exclusively with cold appliance to avoid the glass breaking. Do not use abrasive or chemically aggressive products when cleaning the hearth glass.

GLASS BREAKING: Considering that the glass is manufactured for temperatures up to 700 °C it should not be subjected to thermal shocks. The break can be caused by mechanic shocks,

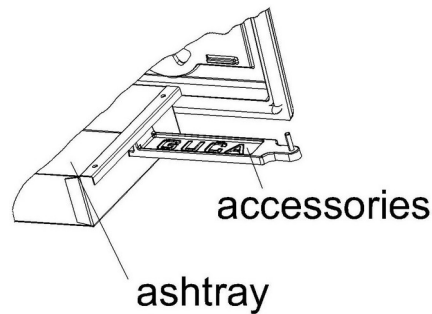
(hits or violent closure of the door, etc.). Therefore, its replacement is not included in the warranty.

18.3 CLEANING OF THE ASH DRAWER

The stove has a hearth grate and an ash drawer for the collection of ashes. We suggest you to empty periodically the ash drawer and to avoid filling it up totally, in order not to overheat the grate.

ATTENTION: The ashes removed from the hearth have to be stored in a container made of fire-resistant material equipped with an air-tight cover. The container has to be placed on a fire-resistant floor. Use accessory tools for ash drawer discharge.

The accessory tools are used also for ember and ash drawer dispersion, as shown in the picture.



18.4 SUMMER PAUSE

After you have cleaned the hearth, the chimney and the flue, try to eliminate completely the ash and others residuals. The flue cleaning should be performed at least once per year; in the meantime check the state of the gasket. If they are not of high quality, they do not guarantee good stove operation and in that case the gaskets should be replaced.

In presence of dampness in the room where the stove has been placed, we advise you to put absorbent salts into the hearth. If you want to preserve the aesthetic appearance of the stove, it is important to protect its inner walls made of cast iron with neutral Vaseline.

We hope that you have read this instruction thoroughly and that you will not have any problems while using the stove.

In case of any complaints call the local vendor or the manufacturer.

19. RECOMMENDATIONS FOR ENVIRONMENTAL PROTECTION

Product:

- The product is made from recoverable materials. Compliance with applicable codes on environmental safety is mandatory at product disposal.
- Use exclusively recommended types of fuel.
- It is prohibited to burn organic and inorganic waste (plastic, textil, oiled wood, painted drvo etc.) because of carcinogenic and other detrimental substances released during combustion.

Packaging:

- The packaging material is 100 % recyclable.
- Observe local legislation when disposing the packaging.
- The packaging material (plastic bags, styrofoam, etc.) should be kept away from children as potentially dangareous.

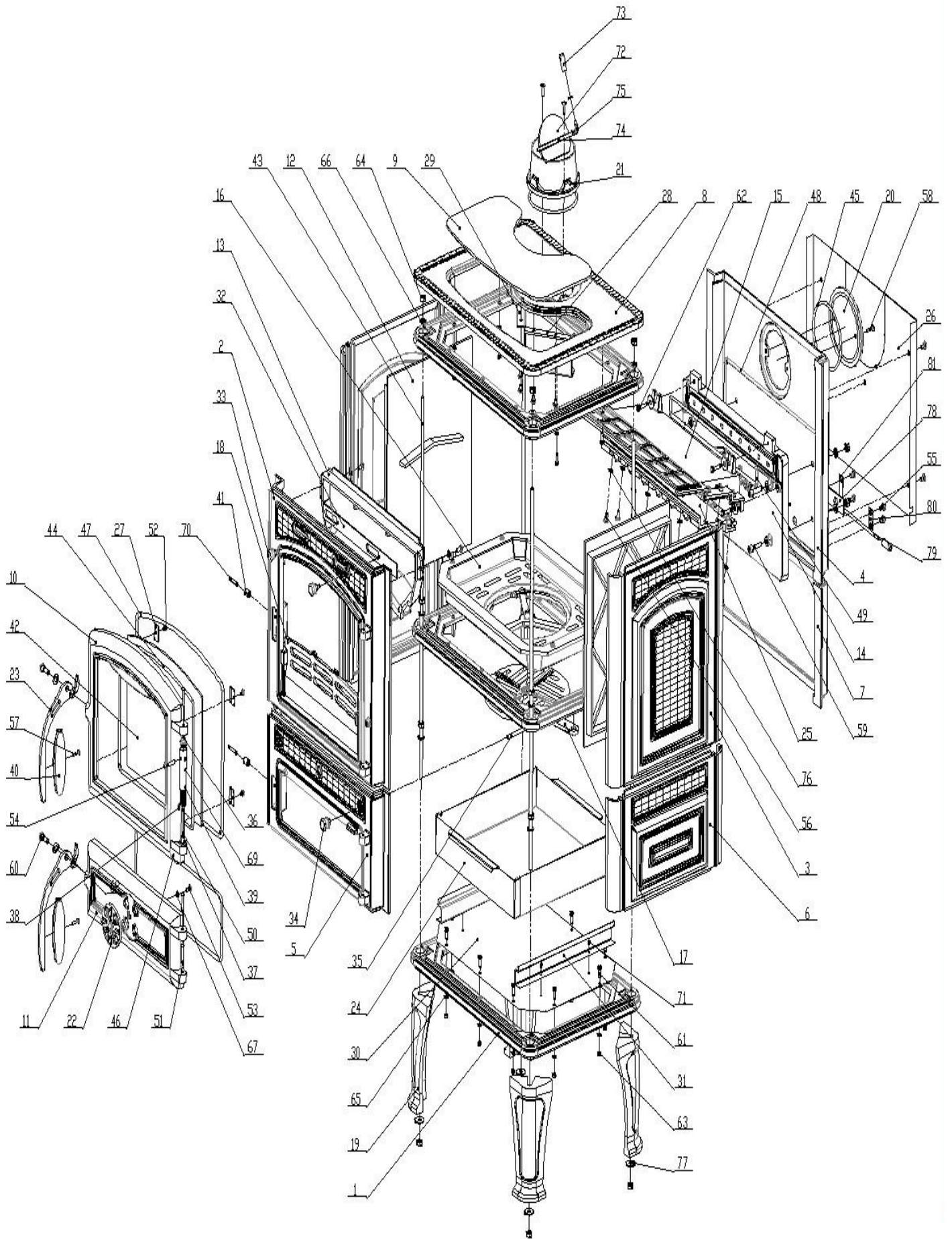
20.WARRANTY

The producer provides guarantee for all cast iron and steel parts. The term of warranty is two years from the device purchase date, providing all provisions from the manual are observed.

Gaskets and sealings are wear parts. Glass is heat-resistant up to 750°C and can be only broken in mechanical way, so it is not subject to warranty. Warranty does not include protective materials (paint, galvanic layers).

The warranty does not apply in the event of non-compliance with manual, mechanic damages, overheating, usage of inadequate fuel, improper chimney installation, use of inappropriate components and incompetent interventions.

Should there be any objections or confusion in relation to our product do not hesitate to contact the local distributor or producer. Our after-sales-service is at your disposal anytime.



22.	P.016	1	44.	P.082	4
21.	P.015	1	43.	P.081	1
20.	P.014	1	42.	VS-002	1
19.	P.068	4	41.	P.034	2
18.	P.067	1	40.	P.033	1
17.	P.066	1	39.	P.029	1
16.	P.065	1	38.	P.028	1
15.	P.064	1	37.	P.027	1
14.	P.063	1	36.	P.080	1
13.	P.062	1	35.	P.079	2
12.	P.061	2	34.	P.083	1
11.	P.060	1	33.	P.078	2
10.	P.059	1	32.	P.077	1
9.	P.058	1	31.	P.076	2
8.	P.057	1	30.	P.075	1
7.	P.056	1	29.	P.074	1
6.	P.055	2	28.	P.073	1
5.	P.054	1	27.	P.025	4
4.	P.053	1	26.	P.072	1
3.	P.052	2	25.	P.071	1
2.	P.051	1	24.	P.071	1
1.	P.050	3	23.	P.069	2
Poz.	Oznaka	Kom.	Poz.	Oznaka	Kom.